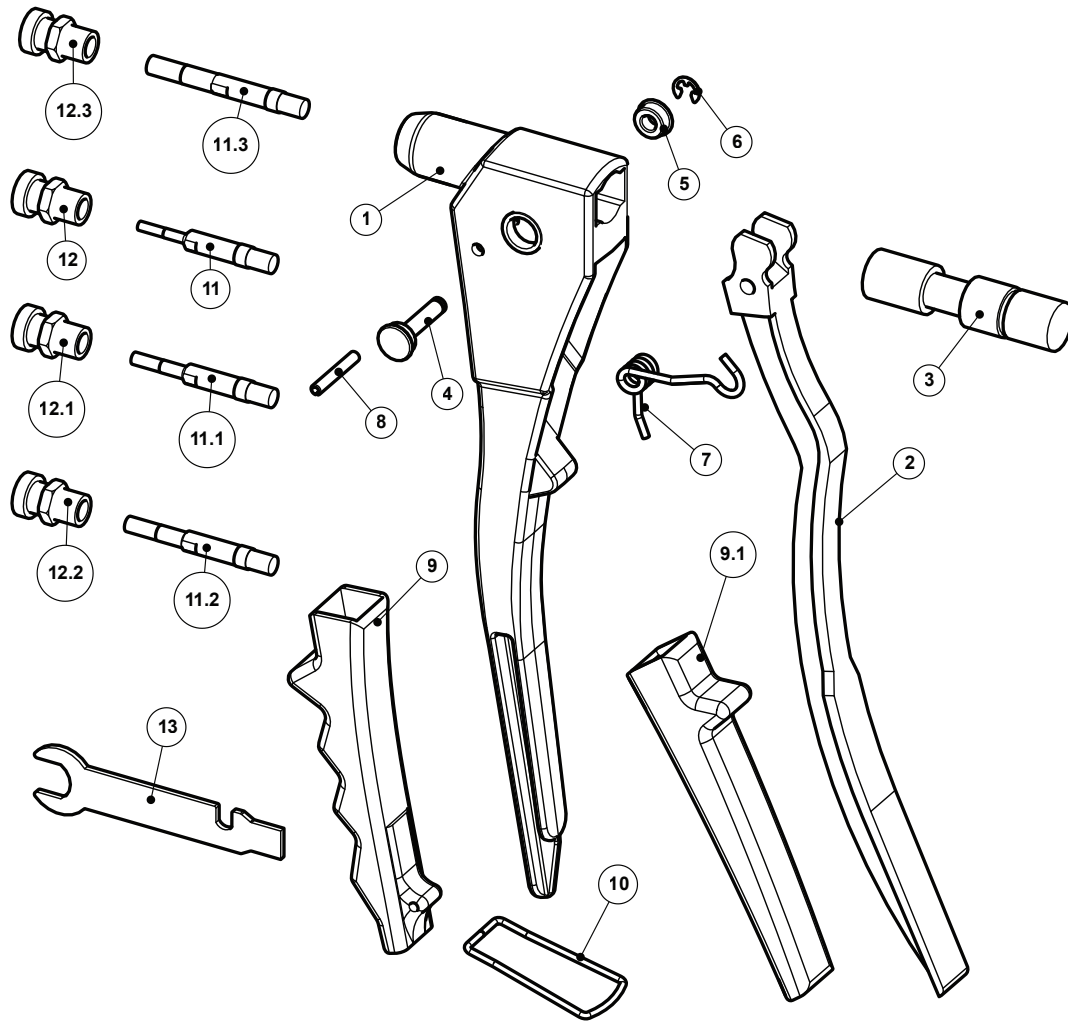




ProfTool



PART #	DESCRIPTION	Qty
1	BODY FRAME	1
2	HANDLE	1
3	DRAWBAR LEAD	1
4	PIN	1
5	COLLAR	1
6	E-4 WASHER	1
7	TORQUE SPRING	1
8	HOLLOW PIN	1
9	GRIP (FRONT)	1
9.1	GRIP (BACK)	1
10	LOCKING RING	1
11	M3 (#6-32) Mandrel	1
11.1	M4 (#8-32) Mandrel	1
11.2	M5 (#10) Mandrel	1
11.3	M6 (1/4-20) Mandrel	1
12	Anvil (M3 / #6-32)	1
12.1	Anvil (M4 / #8-32)	1
12.2	Anvil (M5 / #10)	1
12.3	Anvil (M6 / 1/4-20)	1
13	Spanner	1