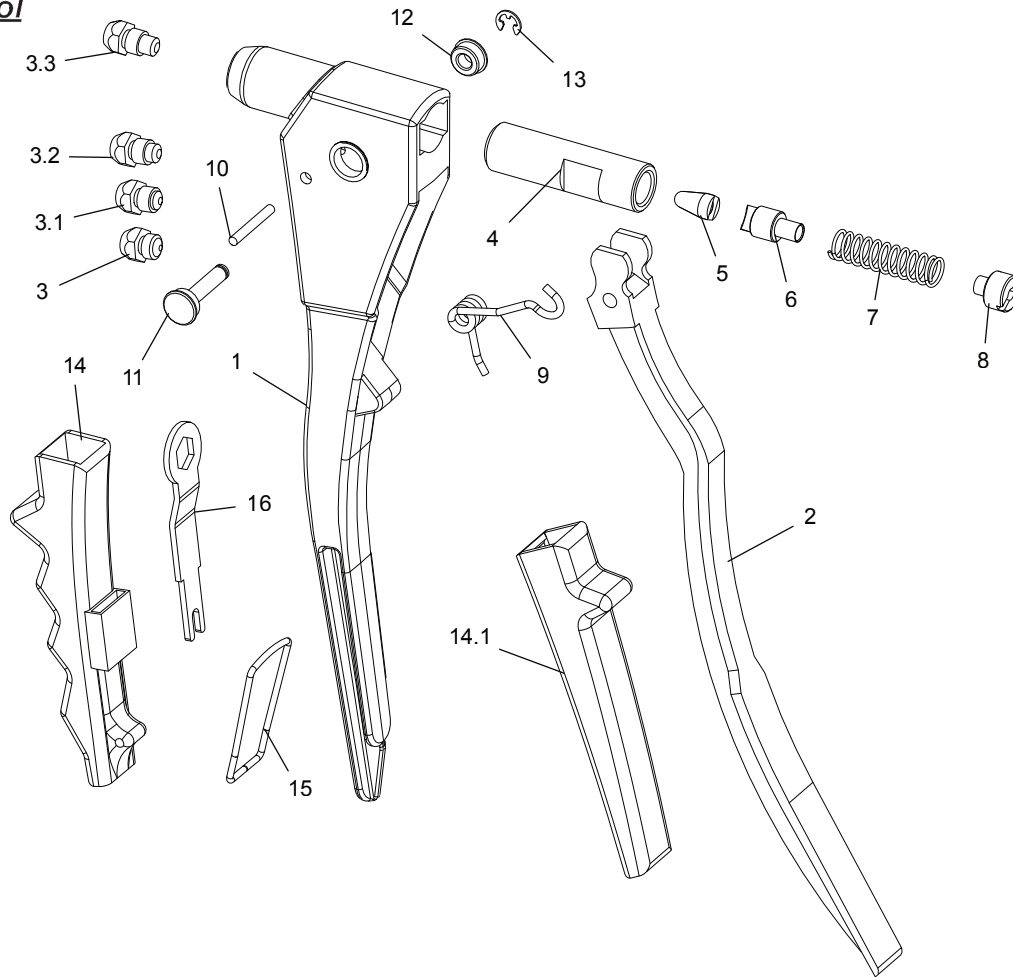




**ProfTool**



ID	DESCRIPTION	Qty
1	BODY FRAME	1
2	HANDLE	1
3	NOSEPIECE 2.4MM	1
3.1	NOSEPIECE 3.2MM	1
3.2	NOSEPEICE 4.0MM	1
3.3	NOSEPIECE 4.8MM	1
4	JAW CASE	1
5	JAW	2
6	JAW PUSHER	1
7	JAWCASE SPRING	1
8	JAWCASE SCREW	1
9	TORQUE SPRING	1
10	STRAIGHT PIN	1
11	PIN	1
12	COLLAR	1
13	E4 RING	1
14	GRIP (FRONT)	1
14.1	GRIP (BACK)	1
15	RETAINING RING	1
16	SPANNER	1