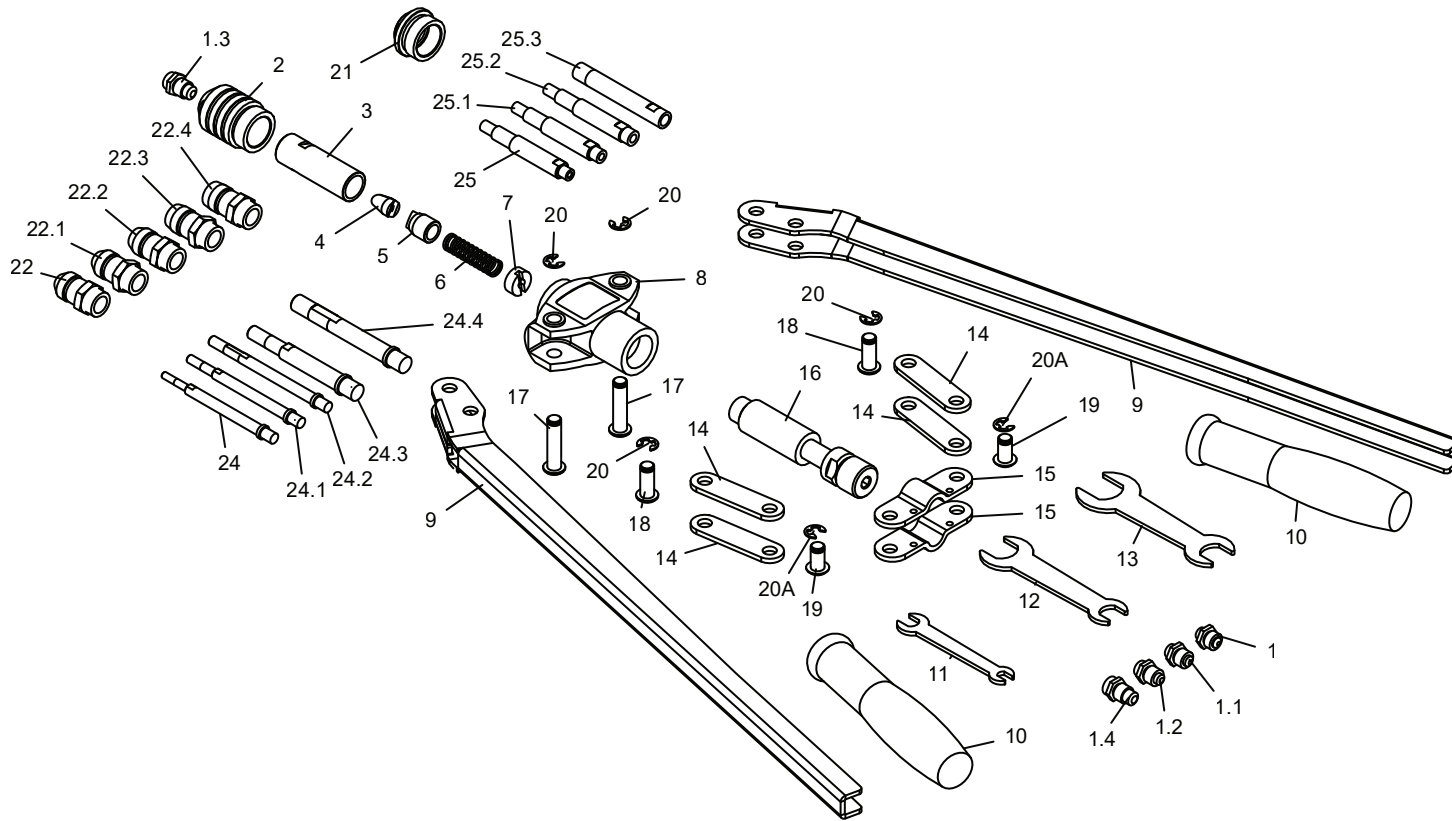




HF10x Part List Index	
Model No.	Part No.
HF101	1~20
HF102	8~24.4
HF103	1~24.4
HF104	8~23, 25~25.3
HF107	1~25.3



PART NO.	DESCRIPTION	QTY
1	NOSEPIECE (3.2MM)	1
1.1	NOSEPIECE (4.0MM)	1
1.2	NOSEPIECE (4.8MM)	1
1.3	NOSEPIECE (6.4MM)	1
1.4	NOSEPIECE (6.4MM LARGE)	1
2	SLEEVE SEAT (FOR BLIND RIVET)	1
3	JAWCASE	1
4	JAW	2
5	JAW PUSHER	1
6	JAWCASE SPRING	1
7	JAWCASE SRPING	1
8	HEAD FRAME	1
9	HANDLE ARM	2
10	GRIP	2
11	SPANNER	1
12	SPANNER	1
13	SPANNER	1
14	CONNECTING PIECE	4
15	BALANCING PIECE	2
16	DRAWBAR LEAD	1
17	PIN	2
18	PIN	2
19	PIN	2
20	E6 RING	4
20A	RETAINING RING	2
21	SLEEVE SEAT (FOR RIVET NUT)	1
22	ANVIL (M4)	1
22.1	ANVIL (M5)	1
22.2	ANVIL (M6)	1
22.3	ANVIL (M8)	1
22.4	ANVIL (M10)	1
24	MANDREL (M4)	1
24.1	MANDREL (M5)	1
24.2	MANDREL (M6)	1
24.3	MANDREL (M8)	1
24.4	MANDREL (M10)	1
25	RIVET STUD MANDREL (M4)	1
25.1	RIVET STUD MANDREL (M5)	1
25.2	RIVET STUD MANDREL (M6)	1
25.3	RIVET STUD MANDREL (M8)	1