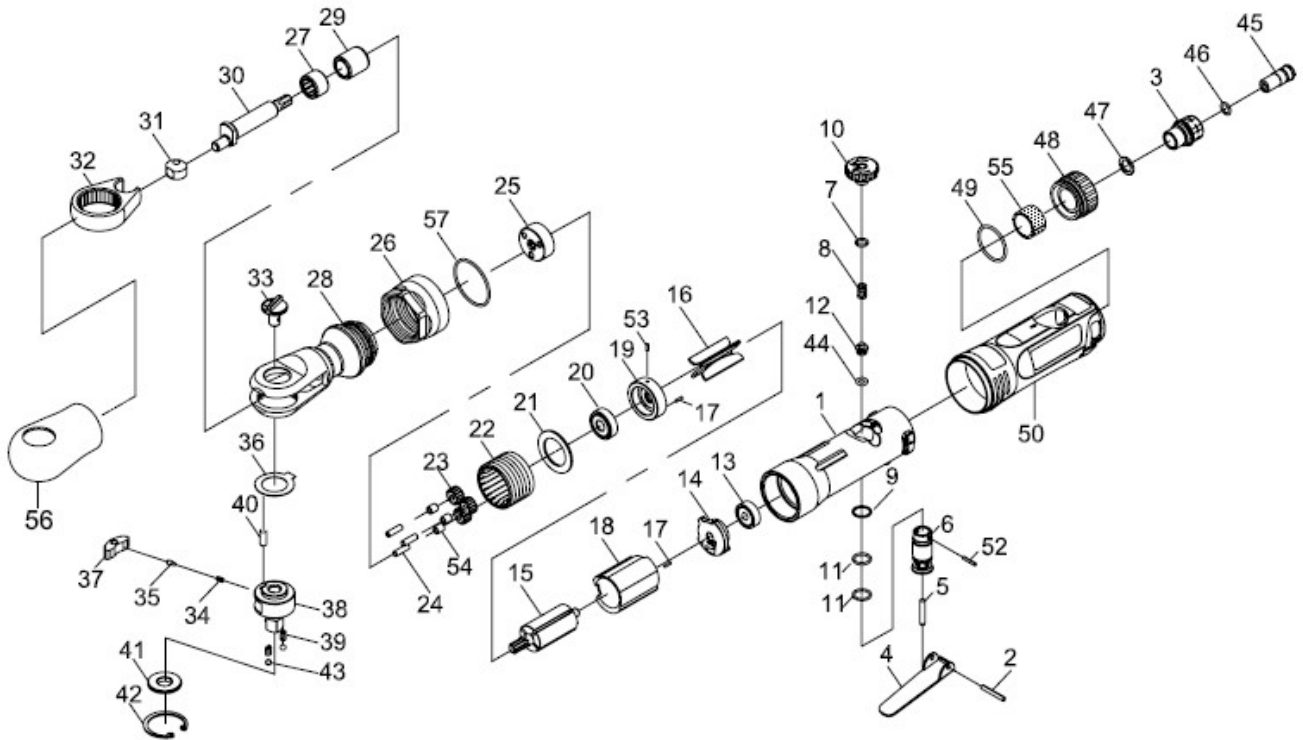




# RESERVEDELISOVERSIGT – VARENR. 75124

ProfTool

## 1/2" AIR RATCHET WRENCH



Index No.	Parts No.	Description	Index No.	Parts No.	Description
1	33-301301	Housing	29	30129	Bushing
2	50102-12	Spring Pin (Ø3*20L)	30	33-301330	Crank Shaft
3	522203-21	Air Inlet	31	33-301331	Drive Bushing
4	33-301304	Throttle lever	32	33-301332	Yoke
5	33-301305	Throttle Valve	33	33-301333	Reverse Button
6	33-301306	Bushing	34	33-301334	Spring
7	72804	O-Ring (6.5*1.5)	35	33-301335	Lock Pin
8	33-301308	Spring	36	30136	Washer
9	OR01104103	O-Ring (11.4*1.25)	37	30137	Ratchet Pawl
10	33-301310	Knob	38	31138	Ratchet Anvil 1/2"
11	OR01007105	O-Ring(2) (1 0.7x 1.5)	39	30139	Spring (2)
12	33-301307	Throttle Valve	40	30140	Pin (Ø4.5*12.7L)
13	052213	Ball Bearing (696ZZ)	41	34-301341	Thrust Washer
14	301114	Rear End Plate	42	30142	Retainer Ring (RTW-31.5)
15	30115	Rotor	43	30143	Steel Ball (2) (5/32")
16	30116	Rotor Blade(4)	44	30107	O-Ring (3.8*1.9)
17	30117	Pin(2) (Ø1.5*6L)	45	33-301341	Fixed Shaft
18	50118	Cylinder	46	OR00705105	O-Ring (7.5*1.5)
19	33-301319	Front End Plate	47	522243	Washer
20	030120	Ball Bearing (608ZZ)	48	33-301311	Deflector
21	30121	Washer	49	OR02607108	O-Ring (26.7*1.78)
22	30122	Thread Ring Gear	50	33-301352	Grip
23	33-3013L23	Idler Gear (3)	52	SP02001200	Spring Pin (2*12L)
24	30124	Idler Gear Pin (3) (Ø4*13.8L)	53	70117	Spring Pin (2*5L)
25	30125	Idler Gear Plate	54	80225	Bushing (3)
26	301126	Clamp Nut	55	33-301343	Damping Material
27	030129	Needle Bearing	56	30152	Rubber Hat
28	33-301328	Ratchet Housing	57	P91237	O-Ring (29.4*3.1)