



**BATO Nordic a/s**  
Laerkevej 10, DK-4200 Slagelse

### EC DECLARATION OF CONFORMITY

According to the following EC Directives  
- Machinery Directive: 2006/42/EC



We declare that the machine described hereafter :

**Machine name :** Utility Surface Blaster Kit  
**Model:** 75210

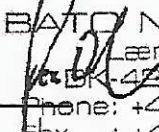
**Technical Data:** Free Speed : 3,500 RPM  
Length : 280 mm  
Weight : 1.2 Kg  
Air Pressure 6-6.5 bar

- EN ISO 12100:2010 / Safety of machinery — General principles for design — Risk assessment and risk reduction (ISO 12100:2010)
  - EN ISO 11148-7:2012 / Hand-held non-electric power tools - Safety requirements - Part 7: Grinders (ISO 11148-7:2012)
  - EN ISO 28927-1:2009 / Hand-held portable power tools - Test methods for evaluation of vibration emission - Part 1: Angle and vertical grinders (ISO 28927-1:2009)
- Vibration Level :  $4.4 \text{ m/s}^2$  , the uncertainty,  $K= 2.64 \text{ m/s}^2$
- EN ISO 15744:2008 / Hand-held non-electric power tools - Noise measurement code - Engineering method (grade 2) (ISO 15744:2002)

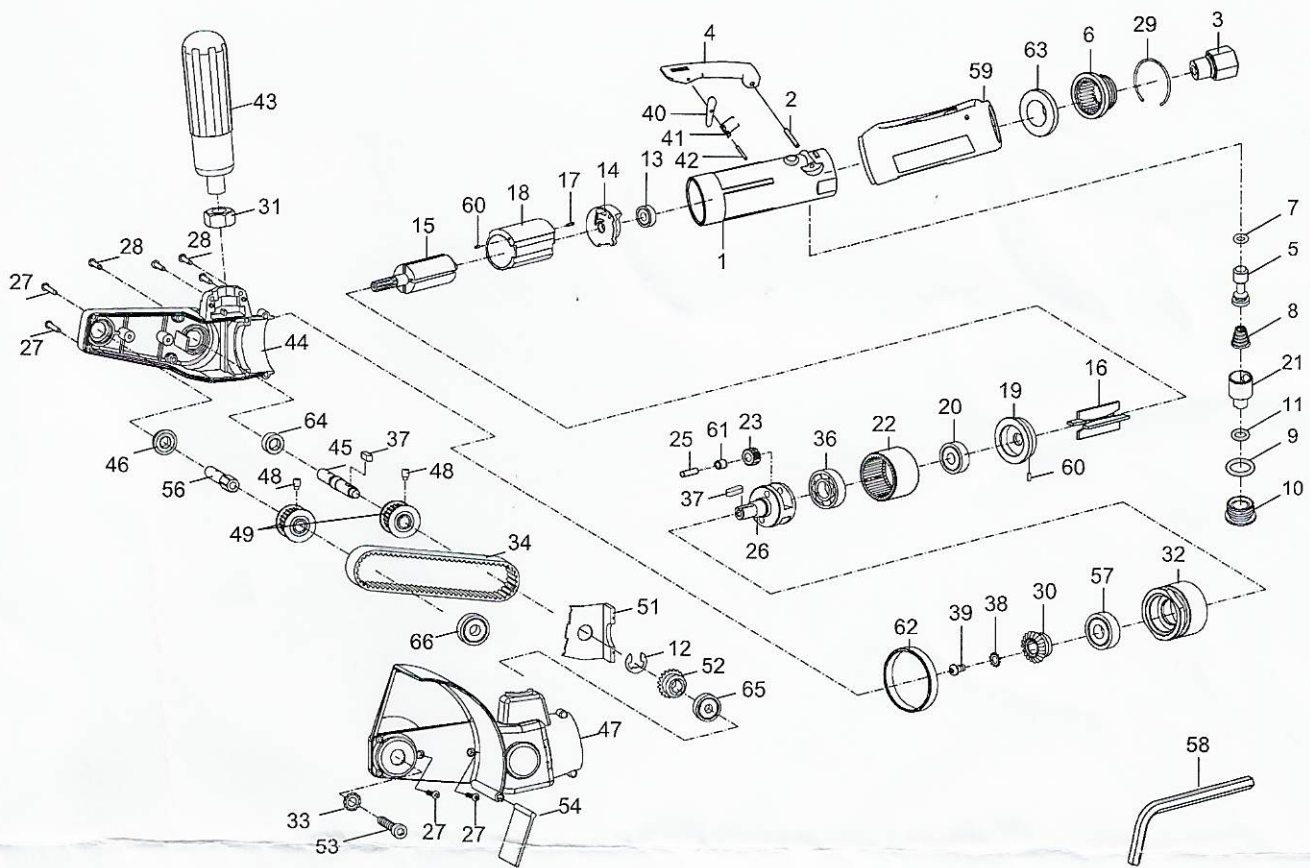
Sound Pressure : 88 dBA

Sound Power : 94 dBA

Date: Nov. 05, 2018

  
BATO NORDIC A/S  
Laerkevej 10  
DK-4200 Slagelse  
Phone: +45 6850 2210  
Fax : +45 6850 2218

# UTILITY IN-LINE DRIVER



| Index No. | Parts No. | Description                   | Index No. | Parts No. | Description                   |
|-----------|-----------|-------------------------------|-----------|-----------|-------------------------------|
| 1         | 301101    | Motor Housing                 | 33        | 690133    | Toothed Washer                |
| 2         | 30102     | Spring Pin (3*24L)            | 34        | 690134    | Toothed Belt                  |
| 3         | 51203     | Air Inlet                     | 36        | 040313    | Ball Bearing (6001)           |
| 4         | 6K-301104 | Throttle Lever                | 37        | 690121    | Key(2) (3*10)                 |
| 5         | 6K-301105 | Valve Stem                    | 38        | 690111    | Toothed Washer (BW-4.5)       |
| 6         | 51206     | Exhaust Deflector             | 39        | 690110    | Screw                         |
| 7         | 70107     | O-Ring (4.8*1.9)              | 40        | 522239    | Safety Bar                    |
| 8         | 51208     | Spring                        | 41        | 522212    | Spring                        |
| 9         | 70123     | O-Ring (11.8*2.4)             | 42        | 51542     | Spring Pin (2*18L)            |
| 10        | 51210     | Throttle Valve Plug           | 43        | 690137    | Handle                        |
| 11        | 40305     | O-Ring (6.5*2.0)              | 44        | 690107    | Plastic Housing(R)            |
| 12        | 690112    | E-Ring (ETW-8)                | 45        | 690120    | Belt Drive Shaft              |
| 13        | 052213    | Ball Bearing (696ZZ)          | 46        | 0690108   | Ball Bearing (LF-688ZZ)       |
| 14        | 301114    | End Plate                     | 47        | 690108-11 | Plastic Housing(L)            |
| 15        | 95-301115 | Rotor                         | 48        | 690117    | Set Screw(2) (M4)             |
| 16        | 512216    | Rotor Blades(4)               | 49        | 690109    | Toothed Pulley(2)             |
| 17        | 30117     | Spring Pin (1.5*6L)           | 51        | 690113    | Inner Bulkhead                |
| 18        | 512218    | Cylinder                      | 52        | 690122    | Bevel Gear                    |
| 19        | 95-301119 | Front End Plate               | 53        | 20523     | Hexagonal Hole Screw (M6*25L) |
| 20        | 030120    | Ball Bearing (608ZZ)          | 54        | 690136    | Dust Cover                    |
| 21        | 51221     | Air Regulator                 | 56        | 690123    | Spindle                       |
| 22        | 70922     | Internal Gear                 | 57        | 051220    | Ball Bearing (6000ZZ)         |
| 23        | 690146    | Planet Gear(2)                | 58        | 10018     | Hex. Key Wrench (5mm)         |
| 24        | 746425    | Pin(2) (4*14.8L)              | 59        | 6K-301152 | Grip                          |
| 25        | 690126    | Planet Cage                   | 60        | 30117-22  | Spring Pin(2) (1.5*4)         |
| 26        | 690127    | Tapping Screw(4) (TS 2.9*20L) | 61        | 690145    | Bushing(2)                    |
| 27        | 690128    | Tapping Screw(8) (TS2.9*16L)  | 62        | 95-301120 | Decoration Ring               |
| 28        | 690128    | Tapping Screw(8) (TS2.9*16L)  | 63        | 51250     | Muffler                       |
| 29        | 51229     | Retaining Ring                | 64        | 0688ZZ    | Ball Bearing (688ZZ)          |
| 30        | 690130    | Bevel Gear                    | 65        | 030113    | Ball Bearing (626ZZ)          |
| 31        | 690131    | Nut                           | 66        | 030120-12 | Ball Bearing (608RS)          |
| 32        | 690132    | Housing Cap                   |           |           |                               |

95-30111