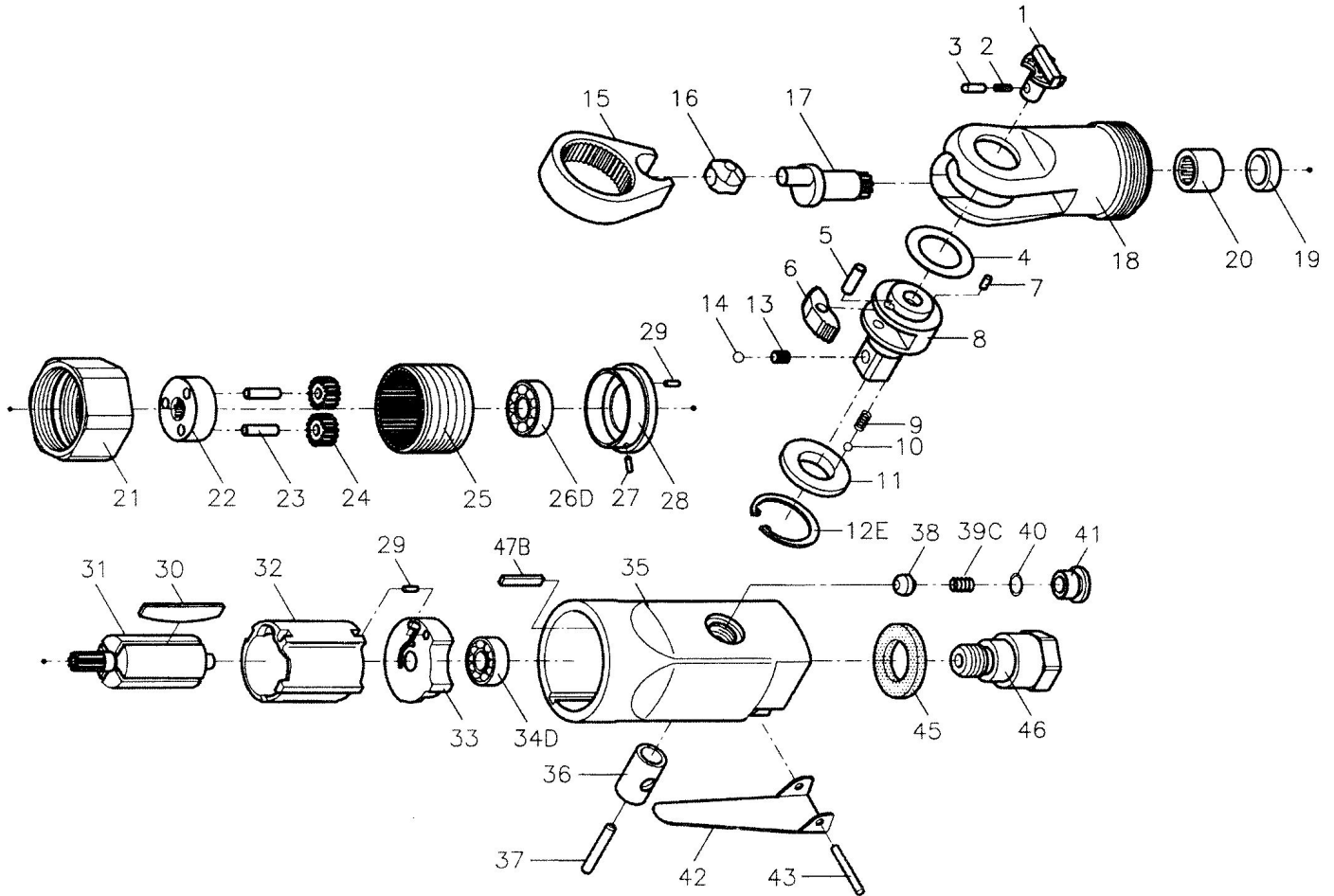


3/8" RATCHET WRENCH



NO.	PART NO.	DESCRIPTION	QTY	NO.	PART NO.	DESCRIPTION	QTY
1	221-001	Reverse Knob	1	23	00-3408	Pin	3
2	221-002	Spring	1	24	221-0 17	Idler Gear	3
3	221-003	Lock Pin	1	25	221-015	Idler Gear Housing	1
4	221-024	Washer	1	26D	00-2332	Ball Bearing	1
5	00-3409	Pin	1	27	00-3334	Spring Pin	1
6	221-005	Ratchet Pawl	1	28	221-019	Front End Plate	1
7	00-3328	Spring Pin	1	29	00-3333	Spring Pin	2
8	221-006A	Ratchet Anvil 1/4"	1	30	221-021	Rotor Blade	4
	221-0068	Ratchet Anvil 3/8"		31	221-020	Rotor	1
9	221-007	Spring	2	32	221-022	Cylinder	1
10	00-3813	Steel Ball	2	33	221-023	Rear End Plate	1
11E	221-032A-B	Thrust Washer	1	34D	00-2340	Ball Bearing	1
	221-032B-B	Thrust Washer		35	221-025	Motor Housing	1
12E	00-3110	Snap Ring	1	36	221-026	Bushing	1
13	221-008	Spring (1/4" Ratchet Anvil)	1	37	00-3417	Valve Stem	1
	216-008	Spring (3/8" Ratchet Anvil)		38	216-028	Valve Throttle	1
14	00-3816	Steel Ball (1/4" Ratchet Anvil)	1	39C	216-029B	Spring	1
	00-3814	Steel Ball (3/8" Ratchet Anvil)		40	00-4123	O-Ring	1
15	221-009	Ratchet Yoke	1	41	221-030	Valve Plug	1
16	221-010	Drive Bushing	1	42	747-028	Throttle Lever	1
17	221-011	Crank Shaft	1	43	00-3313	Spring Pin	1
18	221-013	Ratchet Housing	1	45	221-029	Copper Muffler	1
19	221-012	Bushing	1	46	221-034A	Air Inlet (1/4"PF)	1
20	00-2407	Needle Bearing	1		221-034B	Air Inlet (1/4"PT)	
21	221-014	Clamp Nut	1		221-034C	Air Inlet (1/4"NPT)	
22	221-016	Idler Gear Plate	1	47B	216-037	Seal Lump	1