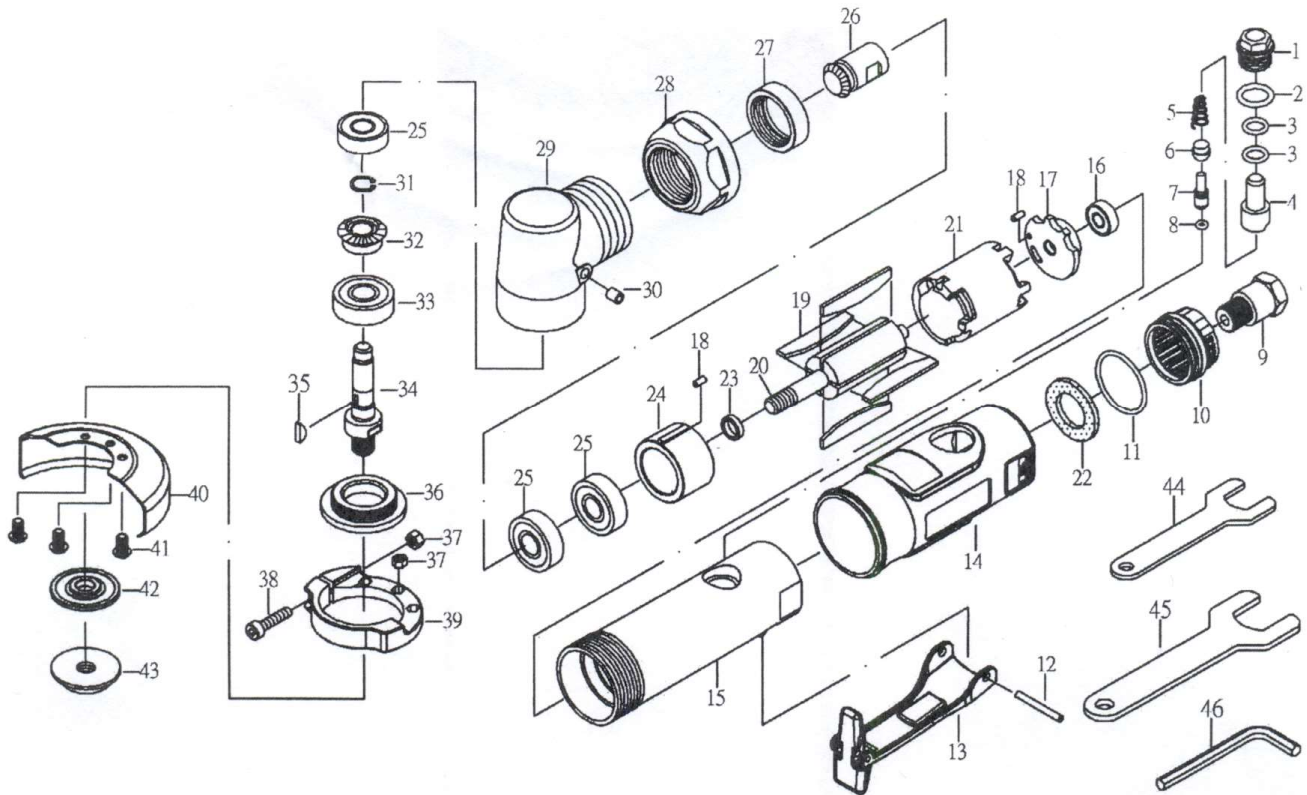


MINI 3" AIR ANGLE COTTER



NO	PART NO	DESCRIPTION	Q'TY
01	12001	SCREW	1
02	70002	O-RING (P12)	1
03	70003	O-RING (P8)	2
04	12004	AIR REGULATOR	1
05	50332	SPRING	1
06	70429	V AL VE STEM BUSHING	1
07	12007	VALVESTEM	1
08	OB-04	O-RING (3.5*1.4)	1
09	70009	AIRINLET	1
10	12010	EXHAUST SLEEVE	1
11	90444	O-RING	1
12	12012.1	PIN	1
13	ST120A13	LEVER	1
14	ST12114	PROTECTING RUBBER	1
15	ST12015	HOUSING	1
16	20312	BEARING (696ZZ)	1
17	ST12017B	REARPLATE	1
18	12018A	PIN	2
19	12019	ROTOR BLADE	4
20	ST120K20	ROTOR	1
21	ST12021B	CYLINDER	1
22	12030	CONE MUFFLER	1
23	20022	BEARING SPACER	1

NO	PART NO	DESCRIPTION	Q'TY
24	ST12023A	FRONT_PLATE	1
25	21024	BEARING (608ZZ)	3
26	ST210126	BEVEL GEAR(9T)	1
27	21026	NUT	1
28	ST12527	CLAMPNUT	1
29	ST288330	ANGLE HOUSING	1
30	21029	OILCUP	1
31	ST288336A	SNAPRING	1
32	ST210131	BEVEL GEAR (18T)	1
33	70048A	BEARING (6000ZZ)	1
34	ST21533	SHAFT	1
35	ST21033	KEY	1
36	ST21535	CLAMPNUT	1
37	ST21538	NUT	4
38	14-42	SCREW (M4*16)	1
39	ST21536	HANDLE LINK	1
40	ST15354	DISCOVER	1
41	81447	SCREW (M4*8)	3
42	ST2943958-1	WASRER	1
43	ST187546	DISCNUT	1
44	BT21038-14	STOP SPANNER 14M/M	1
45	BT21039-19	STOP SPANNER 19M/M	1
46	23039	REX3M/M	1

WE RESERVE TRE RIGHT FOR ANY DESIGNING CHANGES TO TRE PARTS AND WITHOUT ANY NOTICEMENT IN ADVANCE.