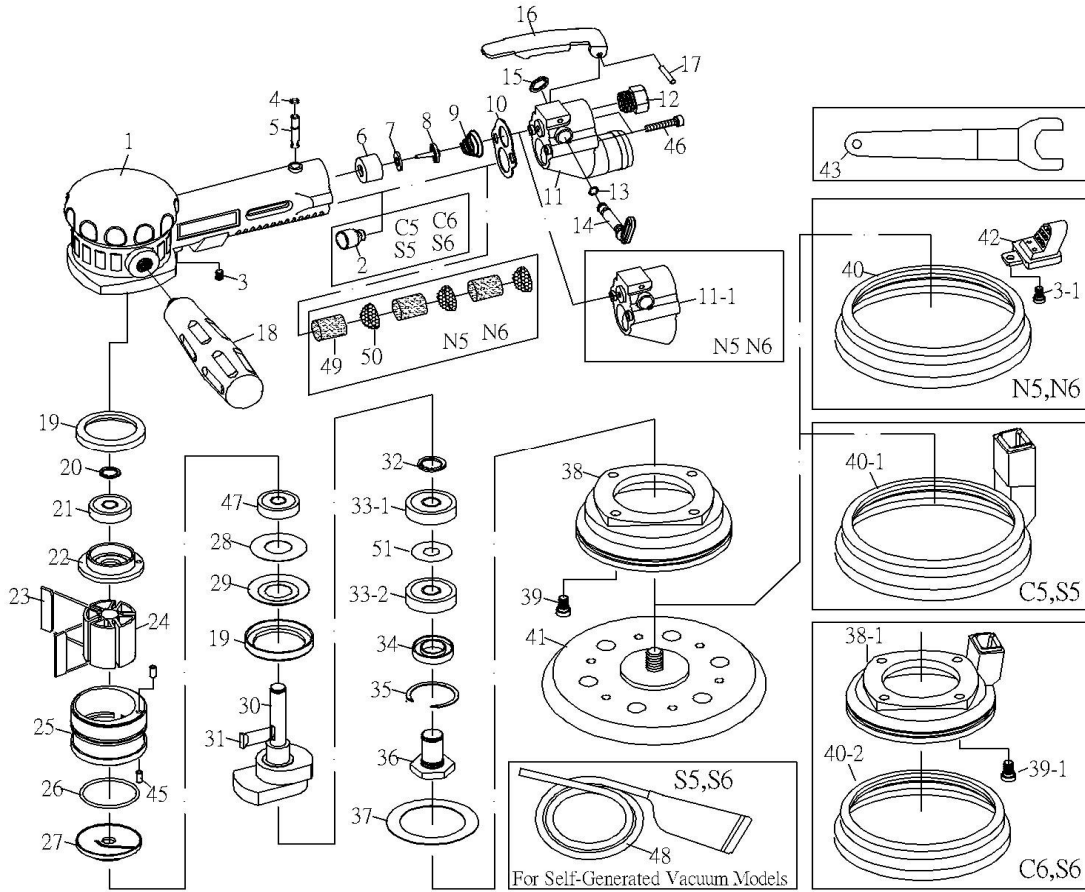


2-HAND RANDOM ORBITAL SANDERS



ProfTool

BATO RESERVEDELVERSICHT - VARENUMMER 7555



NO	PARTS NO.	DESCRIPTION	Q'TY
1	ST2HS-01BK	HOUSING	1
2	2HG-03	MUFFLER BODY	1
3	2HG-04	SCREW (M4*8)	1
3-1	4500-43	SCREW (M4*12)	1
4	OB-04	O-RING	1
5	2HG-06	VALVE STEM	1
6	2HG-07	BUSHING	1
7	OB-06	WASHER	1
8	STOB-08	VALVE	1
9	OB-09-1	SPRING	1
10	2HG-11A	PACKING	1
11	ST2HG4-12C	HOUSING BACK SEAT (C,S)	1
11-1	ST2HG4-12N	HOUSING BACK SEAT (N)	1
12	70426	AIR INLET	1
13	2HG-13	O-RING	2
14	2HG-15	REGULATOR	1
15	2HG-16A	SNAP RING	1
16	70013	LEVER	1
17	70432	PIN(3*24L)	1
18	BT80438-12.5	HANDLE	1
19	OB-16	RUBBER BUSHING	2
20	70410	SNAP RING	1
21	70048A	BEARING(6000ZZ)	1
22	STOB-19	REAR PLATE	1
23	2HS-23	ROTOR BLADE	5
24	ST2HS-24	ROTOR	1
25	ST2HS-25	CYLINDER	1
26	OB-24	O-RING	1
27	STOB-25	FRONT PLATE	1
28	OB-28	WASHER	1
29	E-29	WASHER	1

NO	PARTS NO.	DESCRIPTION	Q'TY
30	ST2HS-33-7	MOTOR SHAFT BALANCER (5")	1
30	ST2HS-33-1	MOTOR SHAFT BALANCER (6")	1
31	ST70407	ROTOR KEY	1
32	OB-30	SNAP RING	1
33-1	OB-31.3	BEARING (6001LU)	1
33-2	OB-31.4	BEARING(6001)	1
34	OB-32	SHAFT SEAL	1
35	OB-33	SNAP RING	1
36	2HS-37	SHAFT	1
37	OB-16.1	WASHER	1
38	OB-35A	HOUSING COVER	1
38-1	2HS-39	HOUSING COVER (C6, S6)	1
39	2HG4-32	SCREW(M5*12)	4
39-1	OB-36	SCREW(M5*10)	4
40	OB-37	SHROUD (N5, N6)	1
40-1	2HG4-47	SHROUD (C5,S5)	1
40-2	2HG-50	SHROUD (C6, S6)	1
41	BTOB-38-5V0Y	PAD (N5)	1
41	BTOB-38-5V6Y	PAD (C5, S5)	1
41	BTOB-38-6V0Y	PAD (N6)	1
41	BTOB-38-6V6Y	PAD (C6, S6)	1
42	2HS-38	EXHAUST SLEEVE(N5, N6)	1
43	BTOB-39-22	STOP SPANNER	1
45	81326	PIN (3*8)	2
46	2HG-12.1	SCREW(M4*20)	2
47	OB-26A	BEARING(6002ZZ)	1
48	STOB-46-2	RUBBER HOSE & BAG(S5, S6)	1
49	SX-11	SILENCER	3
50	SX-11.1	STAINLESS MESH	3
51	OB-23.2A	SHIM	1