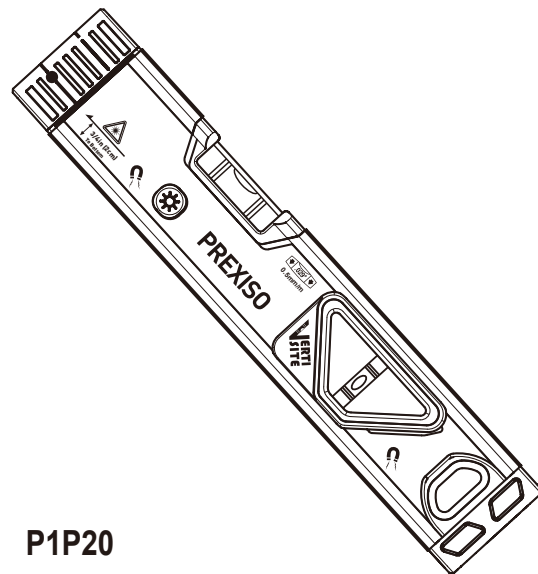


PREXISO



P1P20

LINE AND POINT SPIRIT LASER LEVEL



www.prexiso-eu.com

SAFETY INSTRUCTIONS

Working safely with the measuring tool is possible only when the operating and safety information are read completely and instructions contained herein are strictly followed. Never make warning labels on the measuring tool unrecognizable. **SAVE THESE INSTRUCTIONS.**

Caution – The use of operating or adjusting equipment or the application or processing methods other than those mentioned herein, can lead to hazardous radiation exposure.



Laser radiation-Do not stare into beam.
 <math><1.0mW @ 635\pm 10nm</math>
 IEC/EN 60825-1: 2014 Complies with 21
 CFR 1040.10 and 1040.11 except for
 conformance with 1030.2-1, Ed. 3, as
 described in Laser Notice No. 56,
 dated May 8, 2019. Class 2 Laser product.



WARNING

LASER RADIATION. Do not stare into beam. Class II laser product. Turn the laser beam on only when using this tool.

- Do not remove or deface any product labels.
- Avoid direct eye exposure. The laser beam can cause persons being blinded.
- Do not operate the tool around children or allow children to operate the tool.
- Do not place the tool in a position that may cause anyone to stare at the laser beam, whether intentionally or unintentionally.
- Do not use on reflecting surfaces such as sheet steel, glass or polished metal etc. that have shiny, reflective surfaces. The shiny surface could reflect the beam back at the operator.
- Always turn the laser tool off when not in use. Leaving the tool on increases the risk of someone inadvertently staring into the laser beam
- Do not attempt to modify the performance of this laser device in any way. This may result in a dangerous exposure to laser radiation.
- Do not attempt to repair or disassemble the laser-measuring tool. If unqualified persons attempt to repair this product, serious injury may occur. Any repair required on this laser product should be performed only by qualified service personnel.
- Use of other accessories that have been designed for use with other laser tools could result in serious injury.

- Do not operate the tool outdoors.
- Do not place or store tool under extreme temperature conditions.
- Do not operate the tool in explosive environments, such as in the presence of flammable liquids, gases or dusts. Sparks can be created in the tool which may ignite the dust or fumes.
- Keep the tool **away from** cardiac pacemakers. The magnet inside the tool generates a field that can impair the function of cardiac pacemakers.
- Keep the tool **away from** magnetic data medium and magnetically-sensitive equipment. The effect of the magnetic can lead to irreversible data loss.
- Measurement **may not** be accurate if used beyond the rated range of the device.
- The use of optical instruments with this product will increase eye hazard.
- Always make sure any bystanders nearby aware of the dangers of looking directly into the measuring tool.
- Do not use the laser viewing glasses as safety goggles, they do not protect eyes against laser radiation.
- Always remove the batteries when cleaning the laser light aperture to laser lens.

TECHNICAL SPECIFICATIONS

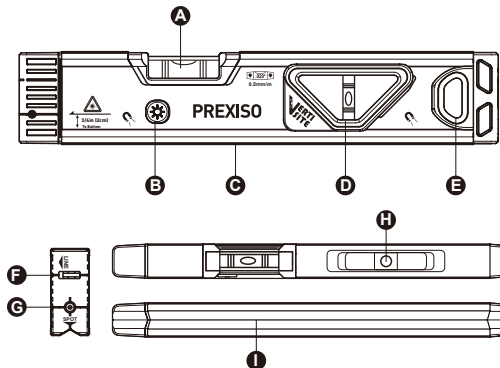
COMPONENT	SPECIFICATIONS
Laser point range	100FT/30M (500Lux)*
Laser line range	30FT/10M*
Laser accuracy	$\pm 5mm/10m (\pm 3/16" @ 30')$
Vials accuracy	0.5mm/m (0.029")
Laser line width	$< 4mm \pm 1mm @ 10m$
Laser wavelength	635 \pm 10nm
Laser class	II, <math><1mW</math>
Working temperature	0 ~ 40°C (32~104°F)
Storage temperature	-10 ~ 60°C (14 ~140°F)
Batteries	2 x 1.5V (AAA)
Operating time	> 4H
Weight	390g (0.86lb) without batteries
Dimension	317.5 x 62 x 27 mm (12.5 x 2.4 x 1.1 in)

*Important: The accuracy is rated within distance of 10 meters. Under unfavorable conditions, such as in extreme interior illumination, transparent surfaces (eg. glass, water), porous surfaces (eg. insulation materials) or reflecting surfaces (eg. polished metal, glass) or very rough surfaces (eg. rough cast, natural stone), the tool's measuring range and accuracy will be reduced.

DESCRIPTION

LINE AND POINT LASER LEVEL

This is a highly versatile tool. It can be placed on the ground, mounted on a door frame, work bench etc.



PARTS	DESCRIPTION
A	Spirit level for horizontal alignment
B	ON/OFF Switch with operating-mode selector
C	Battery compartment (rear)
D	Spirit level for vertical alignment
E	Hanging hole
F	Laser outlet for line operation
G	Laser outlet for point operation
H	Verti-site window
I	Magnetic V-groove

UNPACKING

When unpacking the box, do not discard any packing materials until all of the contents are accounted for:

- Line and point spirit laser level
- 2 x AAA alkaline batteries
- Operator's manual

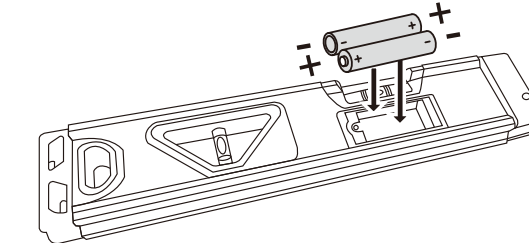
Carefully lift the laser tool out of the package and place it on a stable, flat surface.

ASSEMBLY

INSERTING/REPLACING THE BATTERY

AAA alkaline batteries are recommended for the measuring tool. Open the battery compartment lid with screwdriver. Insert the batteries provided. Pay attention to the correct polarity of the batteries according to the representation on the metal plate inside the lid. Always replace all batteries at the same time. Only use batteries from one brand and with the identical capacity.

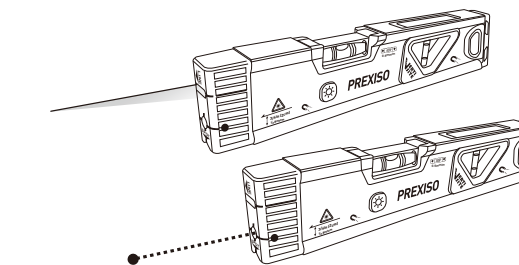
NOTE: Remove the batteries from the tool when not using it for extended periods. When storing for extended periods, the batteries can corrode and discharge themselves.



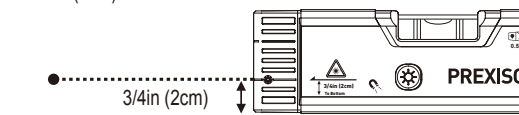
OPERATION

1. TO TURN THE LASER TOOL ON AND OFF

Push the ON/OFF button, the measuring tool will send a laser beam out of the point laser outlet; push the ON/OFF switch again, it will send a laser beam out of the line laser outlet. Push the button third time, the device will be off.

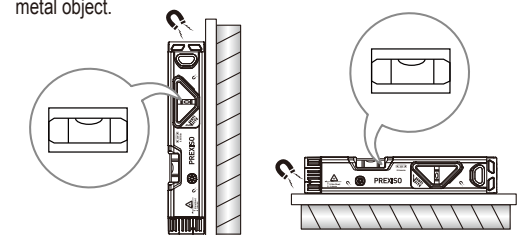


NOTE: The distance between the spot outlet and the magnetic base is 3/4in (2cm)



2. LEVELLING

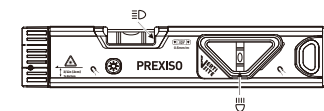
Place the level on the flat object for horizontal or vertical alignment. The magnetic base of the level can be attached to the magnetic metal object.



3. LED LIGHT ON/OFF

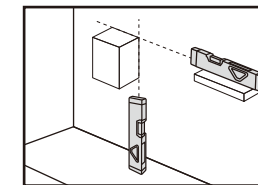
Long press the button for 2 seconds and release the button, the LED light in the bubble will light up. Long press the button again to turn it off.

! The LED light will work until auto power off or battery is run out, so please turn off the light if not use it.

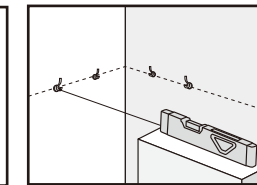


APPLICATIONS

The tool can be placed on the ground, mounted on a work bench / door frame etc. It is an ideal tool for line and point marking and simple alignment by sight.



LINE APPLICATION



POINT APPLICATION

MAINTENANCE

This compact laser measuring tool has been designed to be a low-maintenance tool. However, in order to maintain its performance, you must always follow these simple directions:

- Avoid exposing the tool to shock, continuous vibration or extreme hot or cold environment.
- Always store the tool indoors.
- Always keep the tool free of dust and liquids. Use only a clean soft cloth for cleaning. If necessary, slightly moisten the cloths with pure alcohol or a little water.
- Do not disassemble the compact laser measuring tool, this will expose the user to hazardous radiation exposure.
- Do not attempt to change any part of the laser lens.

TROUBLESHOOTING

PROBLEM	CAUSE	SOLUTION
The laser line projection is weak.	Batteries are weak.	Replace with new batteries.
The laser line is hard to see.	The tool is out of the rated operating range	Move the tool closer to be within the rated operating range.
Laser line is not projected.	No batteries installed or batteries are depleted.	Install new batteries.

DISPOSAL

CAUTION

The batteries must not be disposed with household waste. Care for the environment and take them to the collection points provided in accordance with national or local regulations. Dispose of the product appropriately in accordance with the national regulations in force in your country. Adhere to the national and country specific regulations.

WARRANTY

Two-Year Limited Warranty. This product is warranted to the original purchaser from the original purchase date for two years subject to the warranty coverage described herein. Please retain your receipt. This product is warranted to the original user to be free from defects in material and workmanship. If you believe that the product is defective at any time during the specified warranty period, please contact Prexiso customer service agent by sending email to info@prexiso-eu.com. This warranty does not cover: (1) Part failure due to normal wear or product abuse; (2) Any parts have been altered or modified by anyone other than an authorized Prexiso personnel or failure to install and operate equipment according to the guidelines put forth in the instruction manual. (3) Any products or parts used for rental purposes, damage resulting from shipping (claims must be filed with freighter), accident, abuse, act of God, misuse, or neglect. Prexiso will replace or repair the defective unit, at its option, subject to verification of the defect. Any implied warranties arising from the sale of a Prexiso product, including but not limited to implied warranties of merchantability and fitness for a particular purpose, are limited to the above. Prexiso shall not be liable for loss of use of the product or other incidental or consequential damages, expenses, or economic loss, or for any claim of such damage, expenses, or economic loss. This warranty excludes any accessories. This warranty gives you specific legal rights, and you may also have other rights that vary from state.

Made in China



Prexiso AG
 Fabrikstrasse 1
 CH-8586 Erlen /Switzerland
 www.prexiso-eu.com