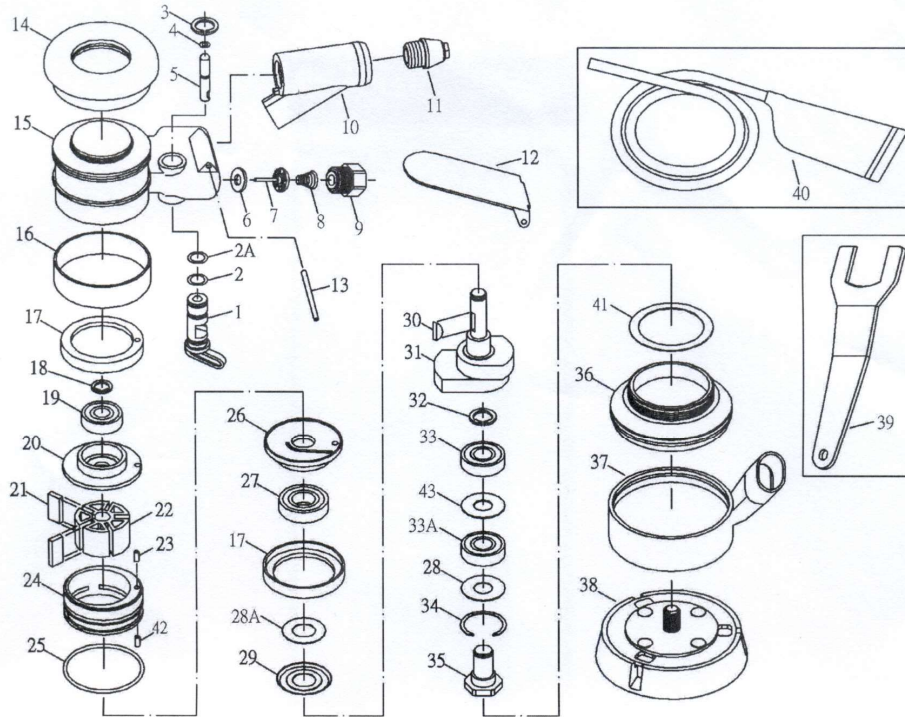




ProfTool

VARE NR. 7551

2.0 mm RANDOM ORBITAL SANDERS



NO	PART NO	DESCRIPTION	Q'TY	NO	PART NO	DESCRIPTION	Q'TY
1	OB-01	REGULATOR	1	23	ST246014	PIN	1
2	OB-02	O-RING	1	24	STOB-22	CYLINDER	1
02A	ST120A03	O-RING	1	25	OB-24	O-RING	1
3	OB-30	SNAP RING	1	26	STOB-25	FRONT PLATE	1
4	OB-04	O-RING	1	27	OB-26A	BEARING (6002ZZ)	1
5	A-05	VALVE STEM	1	28	OB-28.1	WASHER	1
6	OB-06	WASHER	1	28A	OB-28	WASHER	1
7	STOB-08	VALVE	1	29	E-29	WASHER	1
8	OB-09-1	SPRING	1	30	ST70407	ROTOR KEY	1
9	70426	AIR INLET	1	31	ST25-100-38	MOTOR SHAFT BALANCER	1
10	SX-39	VACUUM ADAPTER	1	32	OB-30	SNAP RING	1
11	OB-42.1A	CONE MUFFLER NUT	1	33	OB-31.3	BEARING (6001LU)	1
12	OB-13	LEVER	1	33A	OB-31.4	BEARING (6001)	1
13	OB-14	PIN	1	34	OB-33	SNAP RING	1
14	A-14	PROTECTING RUBBER	1	35	S560-34	SHAFT	1
15	STA-15	HOUSING	1	36	SX36-2.2	HOUSING COVER	1
16	A-16-3	SKIRT	1	37	SX3-42	SHROUD	1
17	OB-16.2	RUBBER BUSHING	2	38	BTOB-38-3V3Y	PAD HOOK-UP	1
18	70410	SNAP RING	1	39	BTOB-39-22	STOP SPANNER	1
19	70048A	BEARING (6000ZZ)	1	40	STOB-46-2	RUBBER HOSE & BAG	1
20	STOB-19	REAR PLATE	1	41	OB-16.1	WASHER	1
21	OB-20-2	ROTOR BLADE	5	42	81326	PIN	1
22	STOB-21	ROTOR	1	43	OB-23.2A	SHIM	1

WE RESERVE THE RIGHT FOR ANY DESIGNING CHANGES TO THE PARTS AND WITHOUT ANY NOTICEMENT IN ADVANCE.